

Floating Headers - 4-1/8", 4-1/2", 6"

with RTS88 for single or double doors

Installation instructions

933840 - 10-2018

| EN |

dormakaba 

Table of contents

| | | |
|----------|---|----------|
| 1 | Technical specifications | 3 |
| 1.1 | Overview | 3 |
| | 1.1.1 General information | 3 |
| | 1.1.2 Intended use | 3 |
| | 1.1.3 Glass requirements/fittings/mounting | 3 |
| | 1.1.4 Requirements for glass panel | 3 |
| | 1.1.5 Safety instructions | 3 |
| | 1.1.6 Symbols used - Safety/Installation | 3 |
| | 1.1.7 Maintenance, care, repair | 3 |
| | 1.1.8 Disposal | 3 |
| 1.2 | Tempered laminate glass (TLG) and adhesive specifications | 4 |
| 2 | Installation instructions | 5 |
| 2.1 | Disassemble the floating header | 5 |
| 2.2 | Disassemble floating header blocks | 6 |
| 2.3 | Install glass grommets, blocks and fasteners | 6 |
| 2.4 | OPTIONAL: Apply adhesive: (For TLG applications) | 7 |
| 2.5 | Install floating header extrusion | 8 |
| 2.6 | Install block fasteners and covers | 8 |
| 2.7 | RTS88 adjustments | 9 |

1 Technical specifications

1.1 Overview

These instructions are for installation of 4-1/8", 4-1/2", and 6" floating headers for the following mounting and style versions:

1. Glass mounting

1.1.1 General information

- dormakaba requires use of tempered laminated and tempered monolithic glass.
- dormakaba glass hardware is not suitable for application in rooms where chemicals (e.g. chlorine) are used such as indoor swimming pools, saunas, or salt-water pools.
- Do not swing doors with excessive force. Install limiting stop to prevent door from opening too far.

1.1.2 Intended use

- To house the RTS overhead concealed closers and other pivot options.

1.1.3 Glass requirements/fittings/mounting

- The substructure/wall must be able to bear permanent loads, be level (max. tolerance: 1/16" [2] per 39" [1m]).
- Fasteners must be sufficiently dimensioned for the substructure/wall and weight of the door.
- When adjusting glass elements, always stick to the required clearance for the respective hardware. Adjust clearance so glass does not come in contact with any hard surfaces such as glass, metal or concrete.
- Do not use excessive force when installing the glass (avoid over tightening screws.)

1.1.4 Requirements for glass panel

- dormakaba requires use of fully tempered glass, which complies with ASTM C 1036 and ASTM C 1048. Secondary heat soaking processes are optional but not required. This applies to both tempered monolithic and tempered laminated glass.
- Clamping area must be flat and uncoated (no self-cleaning coating!)
- Never use glass with conchoidal fractures and/or damaged edges.

1.1.5 Safety instructions

- Installation requires two people.
- Always wear protective clothing.

- Only properly qualified and specially trained staff is authorized to mount dormakaba glass hardware.
- Due to crushing hazards and possible injury caused by breakage of glass during mounting, corresponding protective clothing (especially gloves and protective goggles) is required.
- Never clamp metal glass fitting hardware directly to glass surface.

1.1.6 Symbols used - Safety/Installation



CAUTION

Mounting components must meet the requirements of substructure/wall and door weight. Please read the technical information for fittings.



WARNING

Risk of breaking glass.



TIPS AND RECOMMENDATIONS

Information note

1.1.7 Maintenance, care, repair

- Immediately replace damaged parts.
- Always use original dormakaba parts.
- Clean clamping area with alcohol-based standard commercial cleaning agent before mounting the glass hardware.
- Use a damp clothe for occasional cleaning, especially the track.
- Always use silicone - and oil-free cleaners (e.g. acetone).
- Check glass hardware at regular intervals for proper positioning, smooth operation and correct adjustment.
- High traffic door systems require inspection by properly qualified staff (specialized companies or installation firms.)

1.1.8 Disposal

Disposal in accordance with local, state and national regulations.

1.2 Tempered laminate glass (TLG) and adhesive specifications

Fig. 1

| Required parts for laminate glass (not included) | Part Number | Quantity | Usage recommendation |
|--|--|---------------------------|-----------------------------------|
| 3M™ Scotch-Weld™ Urethane Adhesive, DP 605 NS | 934.800 | 1 tube | 1 tube per 4 roller carriers |
| 3M™ Scotch-Weld™ EPX™ Plus II Applicator with 1:1 Plunger ² | 934.801 | 1 applicator | 1:1 plunger with 934.800 adhesive |
| 3M™ Scotch-Weld™ EPX™ Plus II Mixing Square Nozzle, 5.3mm ³ | 934.805 | Pk of 4 | 4 nozzles per 1 tube of adhesive |
| Handling time frame | Function | Time | |
| | Working life (<i>time between application and clamping of carrier</i>) | 5 minutes @ 75°F | |
| | Handling strength | 20 minutes @ 73°F or more | |
| | Full cure time (<i>normal door usage not recommended until full cure time as been met</i>) | 48 hours @ 73°F or more | |

NOTE: Glass should not be installed until the full cure time as been reached (see chart above).

Important safety-related information for the mounting and use of dormakaba glass hardware.

1.2.1 Clean clamping area with alcohol-based standard commercial cleaning agent before mounting the glass hardware.

1.2.2 Never clamp metal glass fitting hardware directly to glass surface.

1.2.3 Never use clamping product on surfaces with self-cleaning coatings.

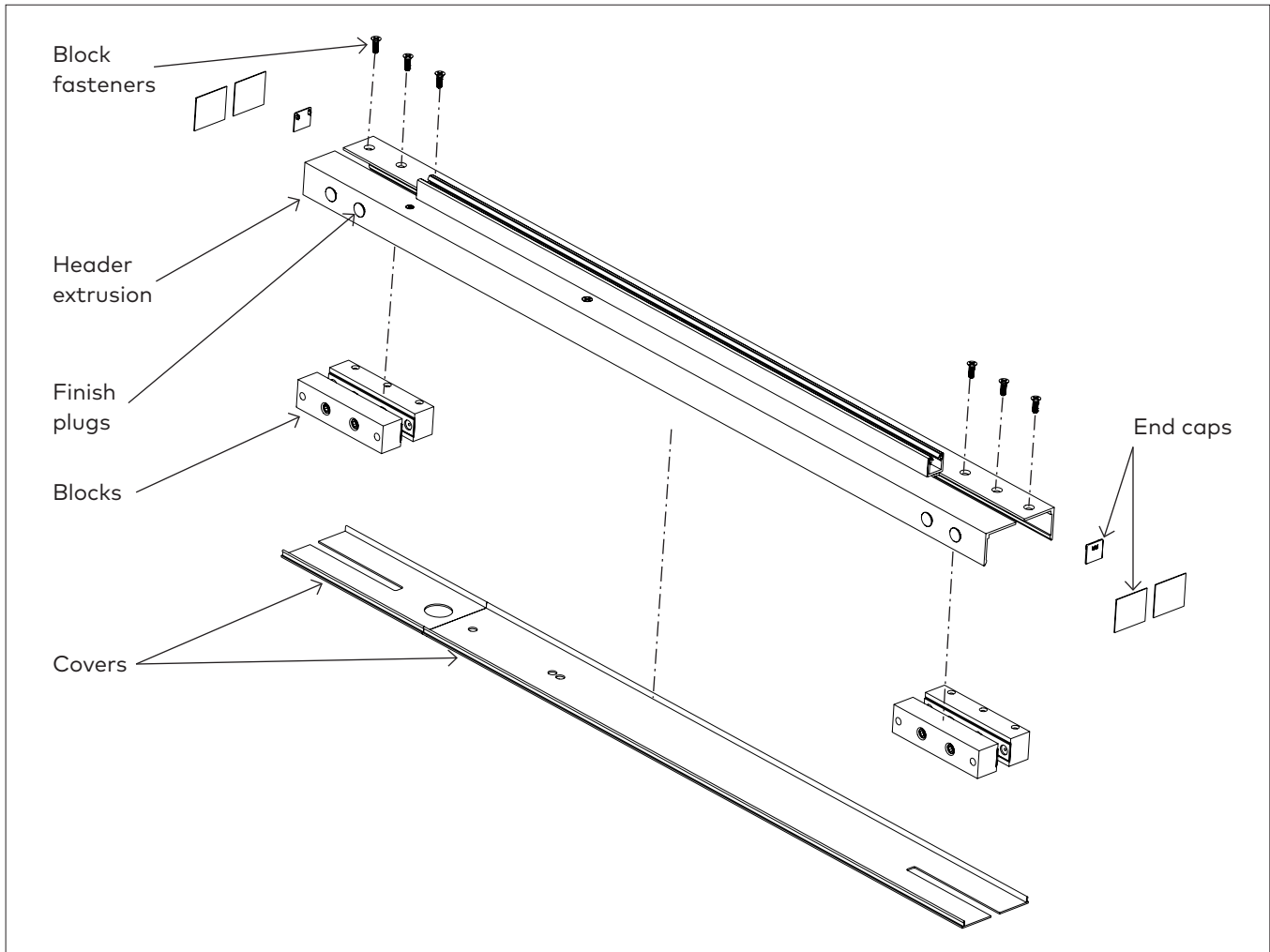
² Scotch-Weld™ EPX™ Plus II Applicator with 1:1 Plunger is a trademark of 3M.

³ Scotch-Weld™ EPX™ Plus II Mixing Square Nozzle is a trademark of 3M.

2 Installation instructions

2.1 Disassemble the floating header

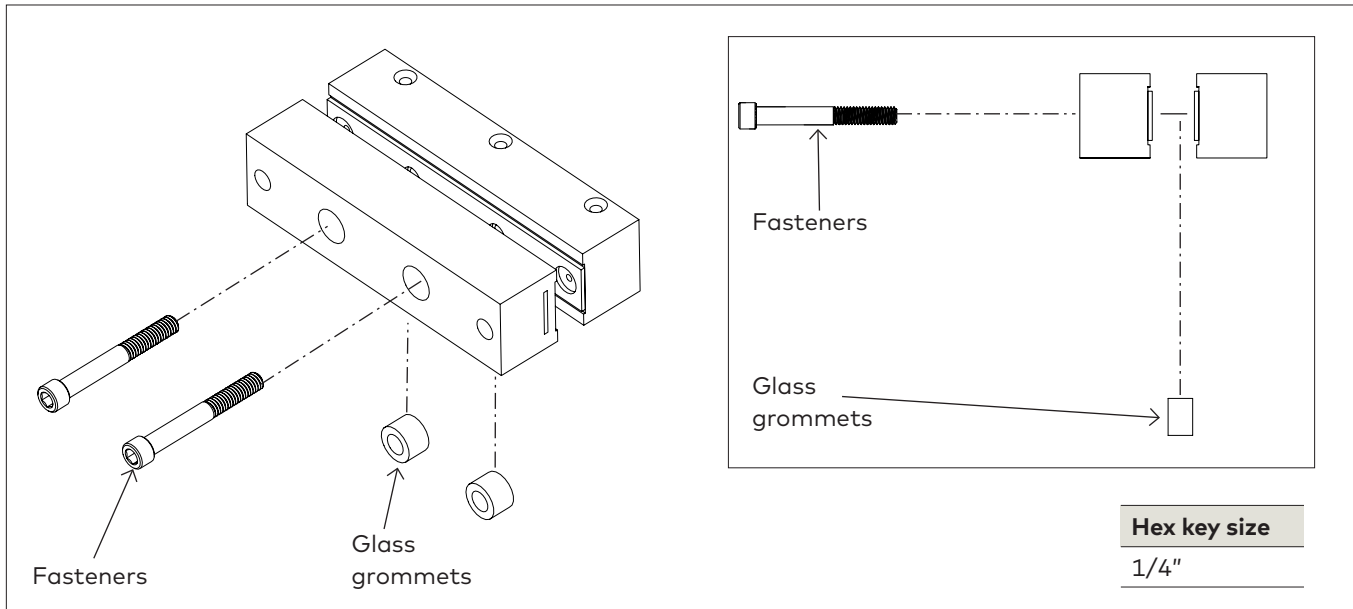
Fig. 2



2.1.1 Separate cover and blocks from header extrusion.

2.2 Disassemble floating header blocks

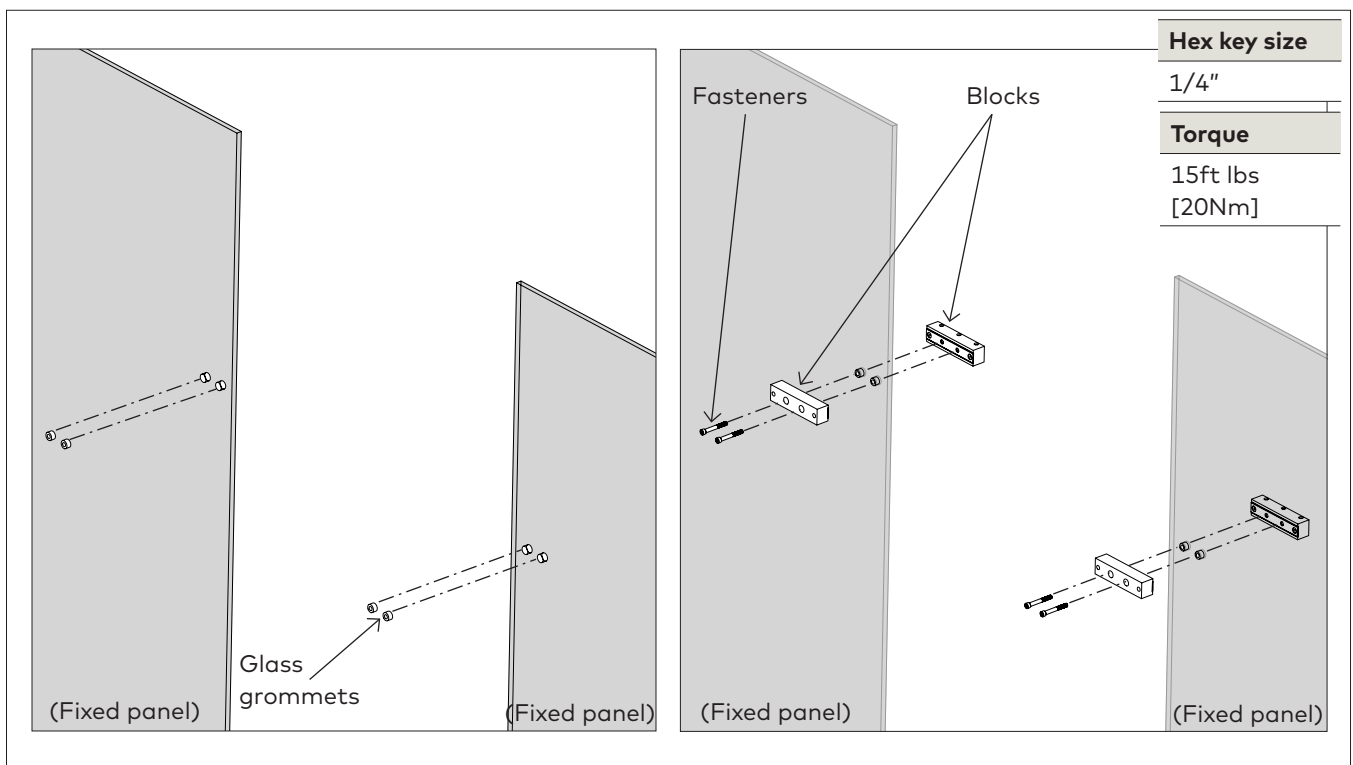
Fig. 3



2.2.1 Disassemble fasteners and glass grommets from both header blocks.

2.3 Install glass grommets, blocks and fasteners

Fig. 4



2.3.1 Install glass grommets.

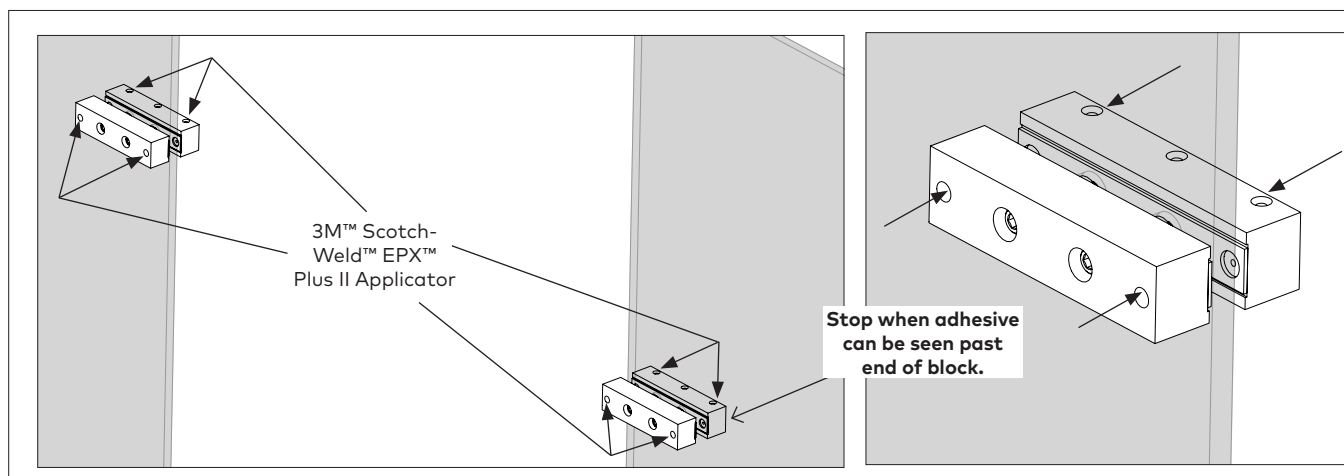
2.3.2 Install blocks and fasteners. **Hand tight only.**

2.3.3 Using a level, ensure both blocks are properly aligned and plumb.

2.3.4 Fully tighten fasteners to 15ft lbs [20Nm].

2.4 OPTIONAL: Apply adhesive: (For TLG applications)

Fig. 5



⚠ NOTE: THE RECOMMENDED ADHESIVE'S SET-UP TIME IS 20 MINUTES FOR THE DUO-PAK CARTRIDGES.

⚠ NOTE: USE 1:1 RATIO PLUNGER WITH THE 3M™ Scotch-Weld™ Urethane Adhesive.

⚠ NOTE: FULLY CLEAN SURFACE OF GLASS WITH AN ALCOHOL-BASED MILD GLASS AND SURFACE CLEANER. ENSURE NO DEBRIS IS ON THE GASKET.

NOTE: Onto scrap material, first dispense approximately 12" of 3M™ Scotch-Weld™ Urethane Adhesive prior to application prevent mixing errors and ensure optimal hardening.

2.4.1 Dispense into holes on both sides of fitting.

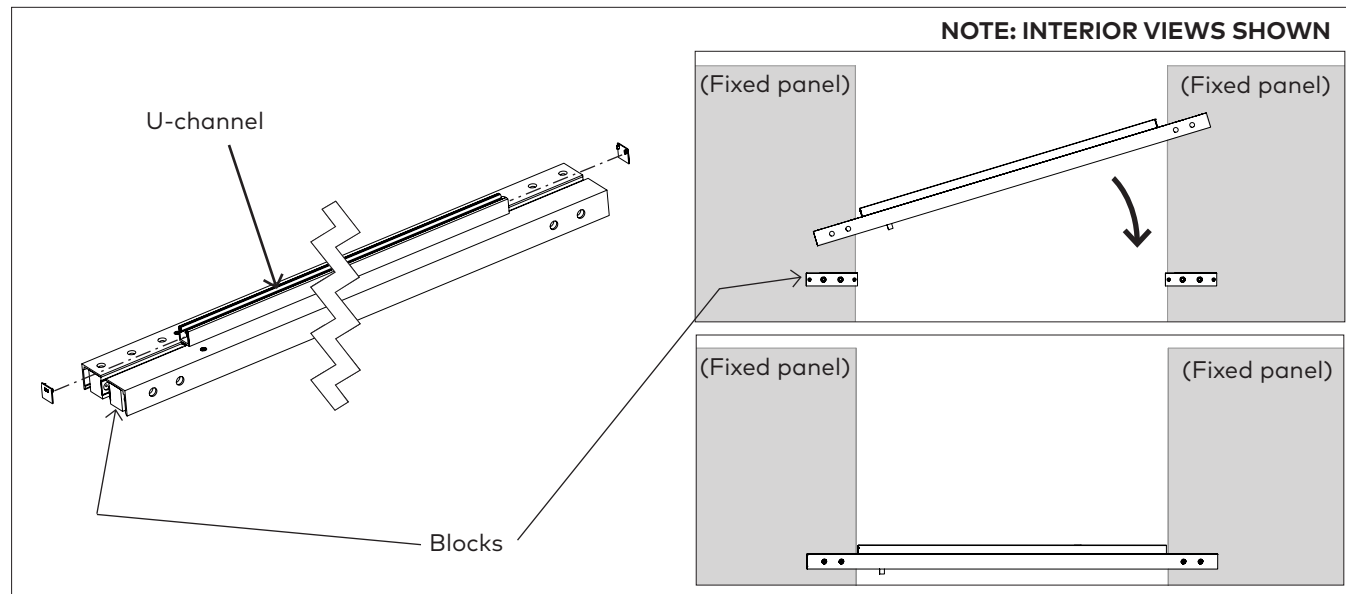
⚠ Stop application when adhesive can be seen past edge of blocks.

⚠ DO NOT WIPE any excess adhesive from glass surface. Allow adhesive to dry and scrape off glass surface with a beveled-edge chisel or putty knife.

NOTE: See chart in Specifications section for appropriate curing time.

2.5 Install floating header extrusion

Fig. 6



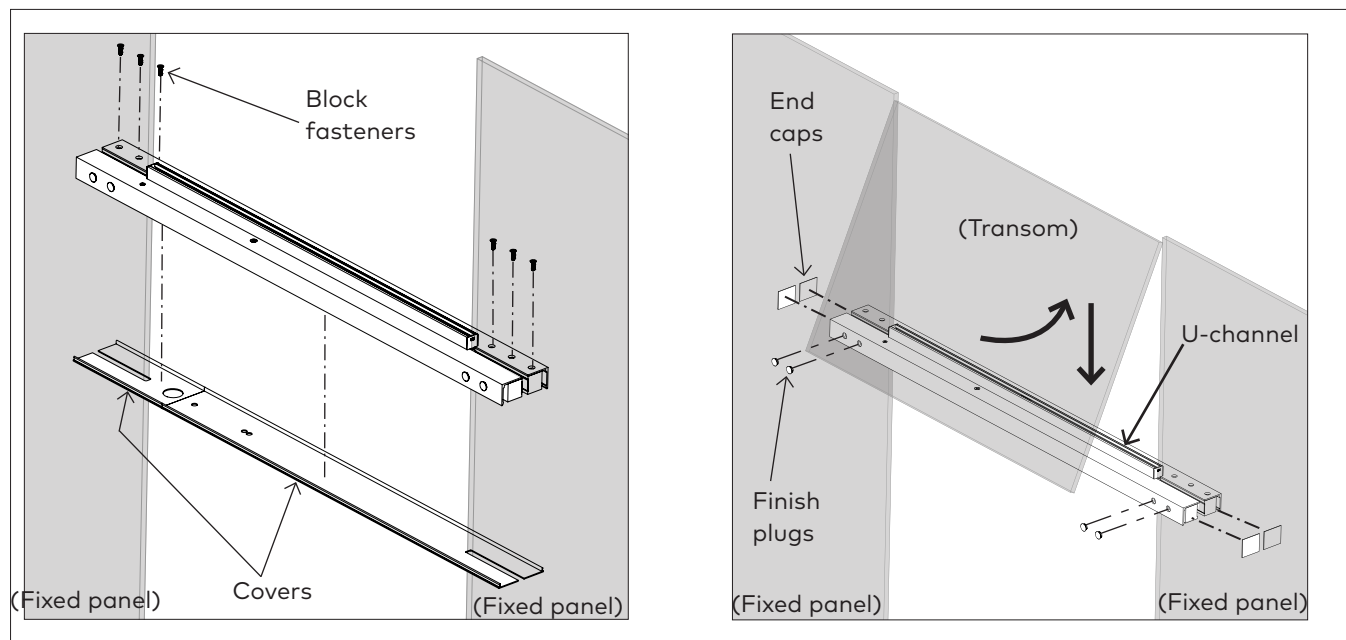
- 2.5.1 Insert setting blocks into U-channel.
- 2.5.2 Secure U-channel end caps prior to installing header.
- 2.5.3 Lay floating header extrusion assembly down onto level blocks.

NOTE: Double-check to ensure header is level.

- 2.5.4 Adjust header if necessary via fasteners and retighten to 15 ft lbs [20Nm].
(See steps 2.3 for reference.)

2.6 Install block fasteners and covers

Fig. 7

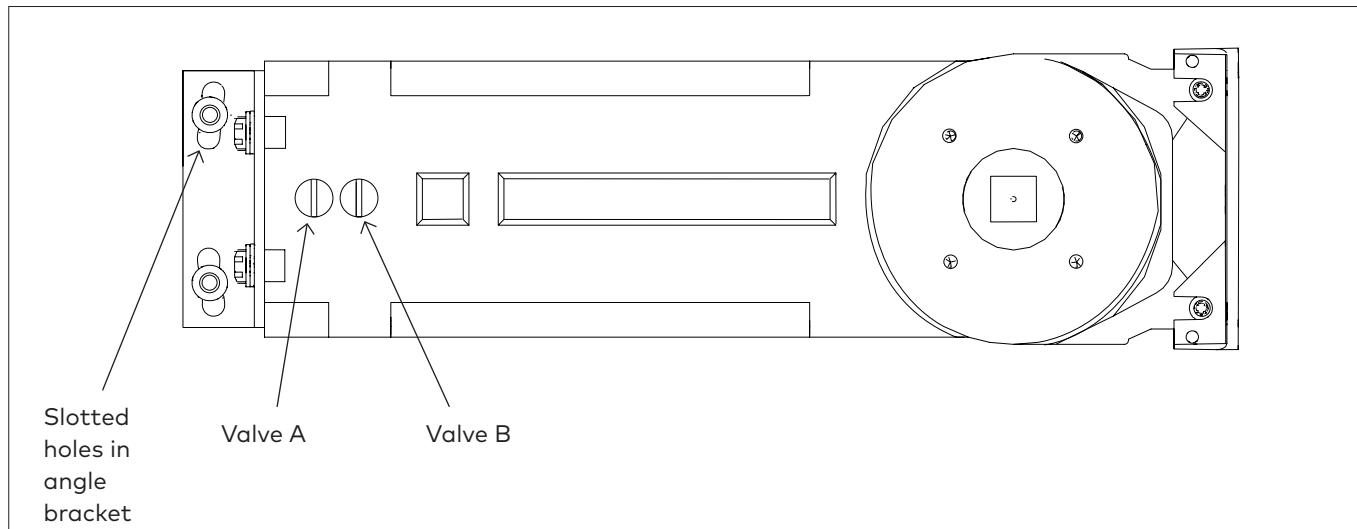


- 2.6.1 Secure block fasteners through top of floating header extrusion.
- 2.6.2 Install covers.
- 2.6.3 Spray U-channel gaskets with water.
- 2.6.4 If applicable, tip transom glass panel up into appropriate ceiling mounting track.

- 2.6.5 Lower down into U-channel on header.
- 2.6.6 Install end caps to pre-cleaned header/blocks.
 - Adhere with pre-attached double-sided tape.
- 2.6.7 Press finish plugs into header extrusion.

2.7 RTS88 adjustments

Fig. 8



- 2.7.1 Ensure closer and pivot are plumb and level.
- 2.7.2 Adjust via slotted holes in angle bracket prior to fully tightening screws.

- Valve "A" - Closing/sweep speed - from maximum opening to 0°.
Clockwise - decrease closing speed
Counter-clockwise - increase closing speed
- Valve "B" - Latch speed - from maximum opening to 20°.
Clockwise - decrease closing speed
Counter-clockwise - increase closing speed

